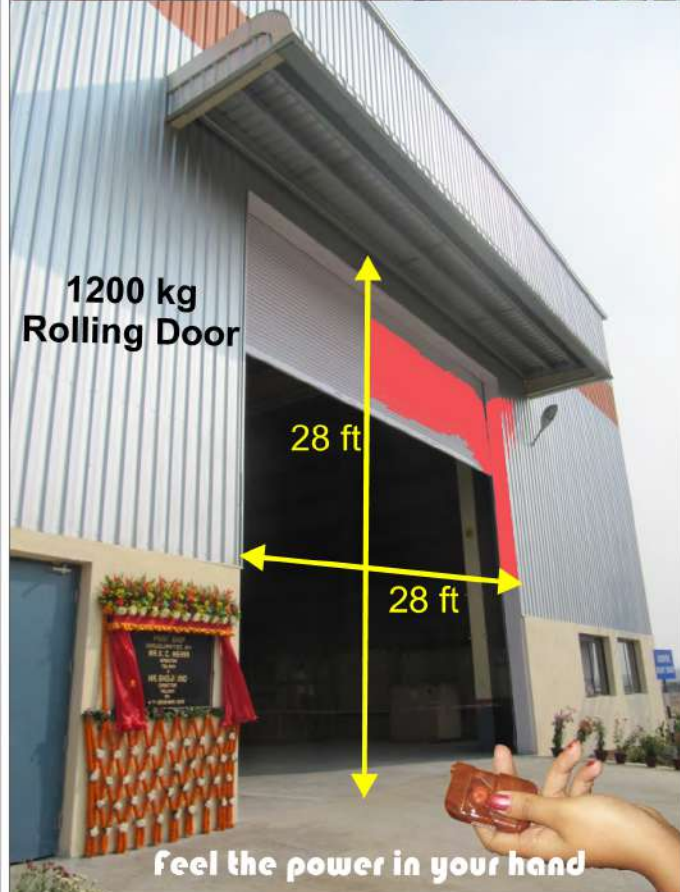


Solutions for Large size Rolling Shutters



A Series Gear Control



B Series Chain Control

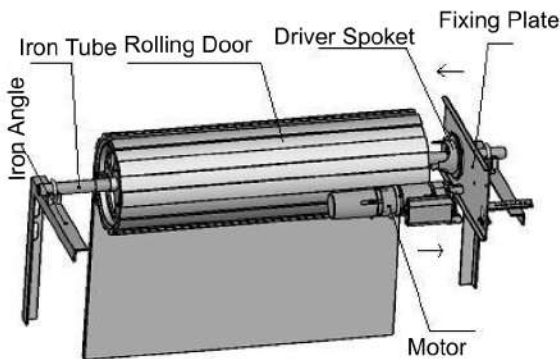


Applications

All Rolling Shutters used in Industry / Malls/ Factories/ Apartments/ Residence/ Shops/Godowns/Banks etc

Features

German designed Carbon Steel Gear / Precision Limit Switch / Thermal Protection / Overload / Electronic Lock
Up Down Stop Switch / Manual Chain Pulley Built in
Optional - Remote Controller / Phase Controller



Electric Switch Controlled



Open from Outside During Power Fail



Technical parameters

Model	Door Wt/kg	Door Height	Voltage	Load	RPM	SHAFT TYPE	Chain Pulley
SM ACM RD 500A	300	6 Mt	230 V	370 W	4.195	5" Hollow Pipe	Built in
SM ACM RD 600B	400	6 Mt	230 V	370 W	4.195	10" Spring System	Built in
SM ACM RD 1500B	1200	8 Mt	415 V / 3 p	750 W	4.195	12" Spring system	Built in